

Burns and Ferrall Locations

AUCKLAND
 12 Reg Savory Place
 East Tamaki, Auckland

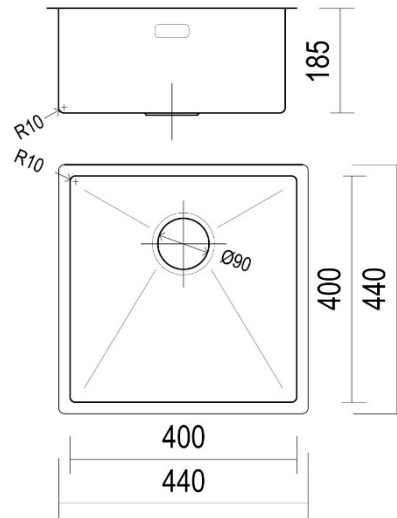
0800 697 465

WELLINGTON
 122-124 Tory Street
 Te Aro

HAMILTON
 60 Alexandra Street
 Central

CHRISTCHURCH
 345 St Asaph Street
 Christchurch

Product Specification Sheet
BFD440R10



Designer R10
 B&F Designer R10 400 Single Bowl

Models	Corner Radius
14 BFD440R10	10mm
Overall Dimensions W x D	Waste
440 x 440mm	90mm
Bowl Dimensions W x D x H	Installation
400 x 400 x 200mm	Top / Flush / Undermount
Material & Finish	Minimum Cabinet Size
1.2mm 304 Stainless Steel, Silky Sheen	520mm

Accessories Available (optional)



BFDDT15
 DRAINING TRAY
 425 X 360mm

BFDRMB
 ROLLER MAT
 480 X 450mm

BFDCO
 COLANDER
 430 X 165mm

BFDCB15
 CHOPPING BOARD
 430 X 370mm

BFDDB
 DRAINING BASKET
 390 X 325mm

BFDCBCO15
 BOARD & COLANDER
 415 X 415mm

E&OE – it is recommended all measurements are taken directly from the product. Specification subject to change without notice, always consult the literature supplied with the product. Coloured images are indicative only.